

SMART FLANGE PRESSURE LEVEL TRANSMITTER

DIAPHRAGM TYPE (REMOE TYPE)



IPS-PT-15

GENERAL

IPS-PT-15 series is a digital flange type pressure level transmitter designed for industrial level measurement applications. The IPS-PT-15 can be configured to provide integrated solutions for a broad range of pressure and level measurement applications.

FEATURES

Updating time of output current in 200 ms

Improved performance, increased accuracy and greater stability Two years

stability of 0.15%

0.1% accuracy

Parameter setting by keypad directly

4-20 mA output plus direct digital HART communication Automatic zero

calibration by push-button

Explosion proof and weather proof housing



STANDARD SPECIFICATION

Process Fluid	: Liquid	Display	: 5 Digits programmable & 0-100%
Application	: Liquid Level, Differential Pressure, Gauge Pressure, Absolute Pressure	Display Unit	Bargraph : Standard 22 different engineering unit 5 Digits programmable for special unit
Measuring Range	: 0 - 6.0 kPa ~ 0 - 40 kPa (Minimum) : 0 - 4.0 MPa ~ 0 - 10.0 MPa (Maximum)	Keypad	: 3 internal keys for programming and output setting Current Output: 4 - 20 mA 2 wires with Hart Signal (Compatible)
Accuracy	: +/- 0.1% of span	Load	: Rohm=(Vdc-9)*50
Stability	: +/-0.15% of URL for 2 years	Power Supply	: 9 - 36 VDC Digital Communication : Hart Protocol
Working Temperature	: -40 to +250 °C	Damping	: 0 - 32 seconds
Max. Pressure	: 10 MPa (Dependent on flange rating)	Response Time	: 100 ms
Material		Turn on Time	: 2 Seconds with minimum damping
Flange/Adapter	: Carbon Steel / Stainless Steel 304 / : Stainless Steel 316	Zero Calibration	: Automatic calibration by push-button
Diaphragm	: Stainless Steel 316L / Hastelloy B / Hastelloy C / Monel / Tantalum	Cable Entry	: 1/2" NPT(Female) / M20 Conduit Threads
Bolts & Nuts	: Carbon Steel / Stainless Steel 316	Temperature Effect	: +/-0.18% ~ +/-0.5% of span per 20 °C
Name / Tag Plate	: Stainless Steel 304 / Stainless Steel 316 Converter	EMI/RFI Effect	: Follow SAMA PMC 33.1 from 20 to 1000 MHz and for field strengths up to 30 V/m
Housing	: Low copper cast aluminum alloy with polyurethane, light blue paint	Process connection	
Fill Fluid	: Silicone / High Temperature Silicone Fluorine Oil / Vegetable Oil	High Pressure Side	: 1-1/2", 2", 3", 4" Flanges ANSI / DIN / JIS / Tri-Clamp
Protection Class	: IP67 (Standard)	Extended Diaphragm	: 2", 4", 6" length
	: Intrinsically Safe EEx ia IIC T5 (Standard)	Low Pressure Side	: 1/4" - 18 NPT , 1/2" - 14 NPT Ambient
	: Explosion proof Ex D IIB T5	Temperature	: -25 to +85 °C
		Dimensions	: 102 mm (W) * 188 mm (H) * 189 mm (D)
		Weight	: 8 - 15 Kg



Industrix Precise Solutions Private Limited

Room No – 303, Bhumika Residency, Plot No-21, Sector-20, Roadpali, Kalamboli, Panvel (Tal.), Raigad (Dist.), Maharashtra, India – 410218.

Mobile: +91 99309 98399 / +91 99674 97447

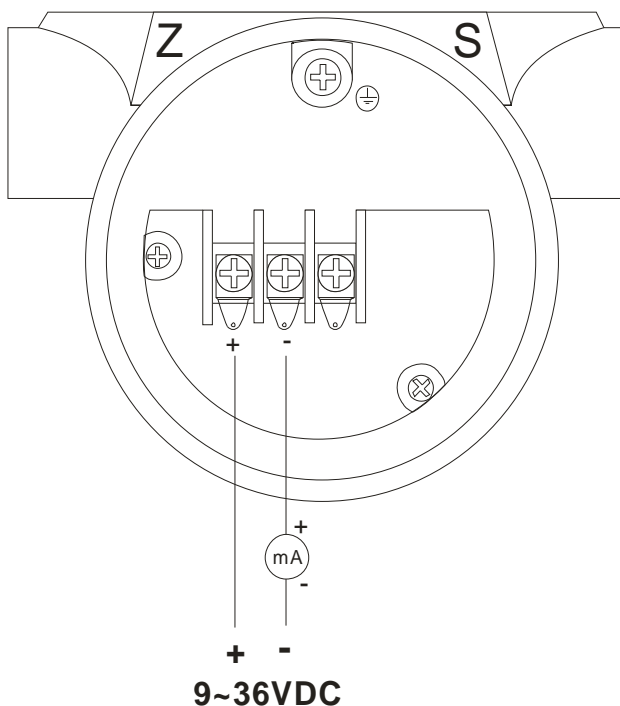
E-mail: admin@ipspl.in / sales@ipspl.in Website: www.ipspl.in

CIN : U52399MH2021PTC368555

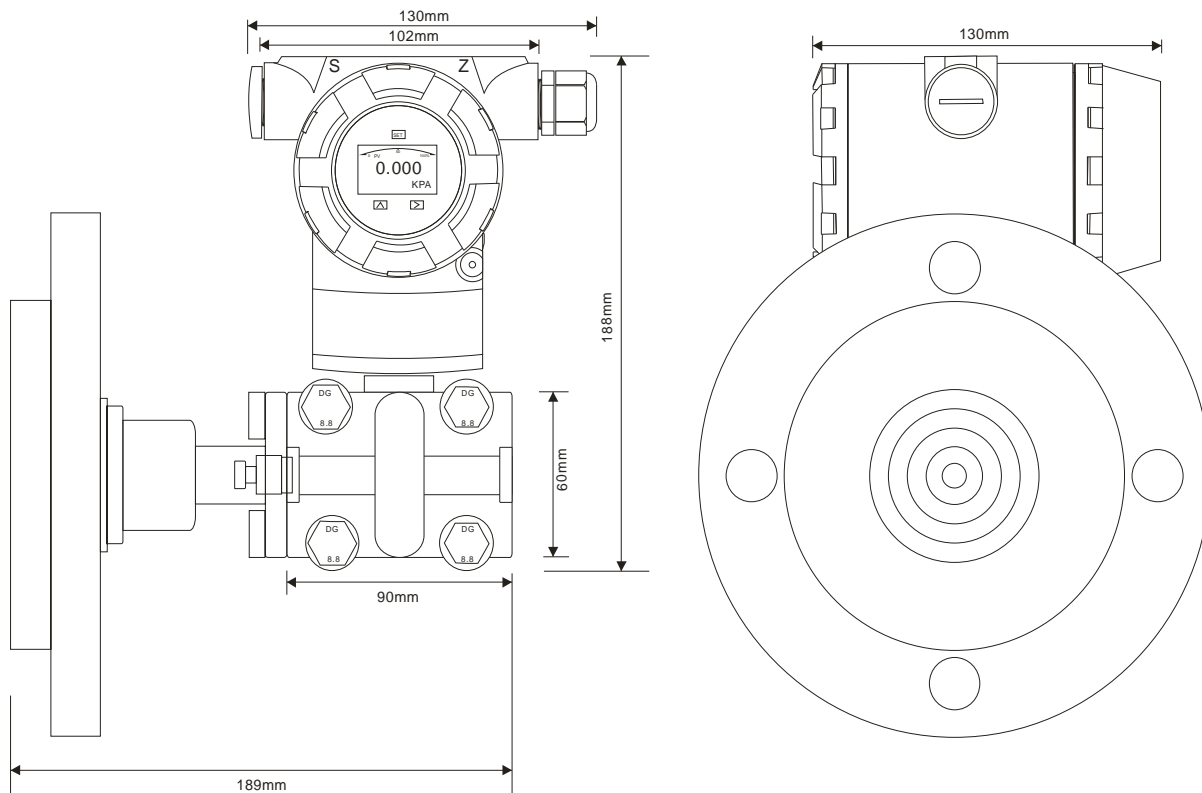
MEASURING RANGE

Range Code	Pressure Range				Transmitter		
	Low Range	High Range	Low Range	High Range	Differential Pressure	Level Pressure	Absolute Pressure
4	0 - 6.0 kPa	0 - 40 kPa	0 - 611.82 mmH2O	0 - 4078 mmH2O	◆	◆	◆
	0 - 60 mbar	0 - 400 mbar	0 - 24.088 InH2O	0 - 160.6 InH2O			
	0 - 0.87 psi	0 - 5.802 psi	0 - 0.061 Kg/cm2	0 - 0.408 Kg/cm2			
5	0 - 40 kPa	0 - 200 kPa	0 - 4.079 MH2O	0 - 20.39 MH2O	◆	◆	◆
	0 - 400 mbar	0 - 2000 mbar	0 - 160.6 InH2O	0 - 802.9 InH2O			
	0 - 5.802 psi	0 - 29.0 psi	0 - 0.408 Kg/cm2	0 - 2.039 Kg/cm2			
6	0 - 160 kPa	0 - 1000 kPa	0 - 16.32 MH2O	0 - 101.97 MH2O	◆	◆	◆
	0 - 1.6 bar	0 - 10 bar	0 - 642.3 InH2O	0 - 4014 InH2O			
	0 - 23.21 psi	0 - 145 psi	0 - 1.632 Kg/cm2	0 - 10.197 Kg/cm2			
7	0 - 400 kPa	0 - 2500 kPa	0 - 40.79 MH2O	0 - 254.9 MH2O	◆	◆	◆
	0 - 4.0 bar	0 - 25 bar	0 - 1605 InH2O	0 - 10036 InH2O			
	0 - 58.02 psi	0 - 362.6 psi	0 - 4.079 Kg/cm2	0 - 25.49 Kg/cm2			
8	0 - 1.6 MPa	0 - 8.0 MPa	0 - 163.1 MH2O	0 - 815.76 MH2O		◆	
	0 - 16 bar	0 - 80 bar	0 - 6423.4 InH2O	0 - 32117 InH2O			
	0 - 232.1 psi	0 - 1160.3 psi	0 - 16.32 Kg/cm2	0 - 81.578 Kg/cm2			
9	0 - 4.0 MPa	0 - 20 MPa	0 - 407.9 MH2O	0 - 2039.4 MH2O		◆	
	0 - 40 bar	0 - 200 bar	0 - 16059 InH2O	0 - 80292.6 InH2O			
	0 - 580.2 psi	0 - 2901 psi	0 - 40.79 Kg/cm2	0 - 203.94 Kg/cm2			

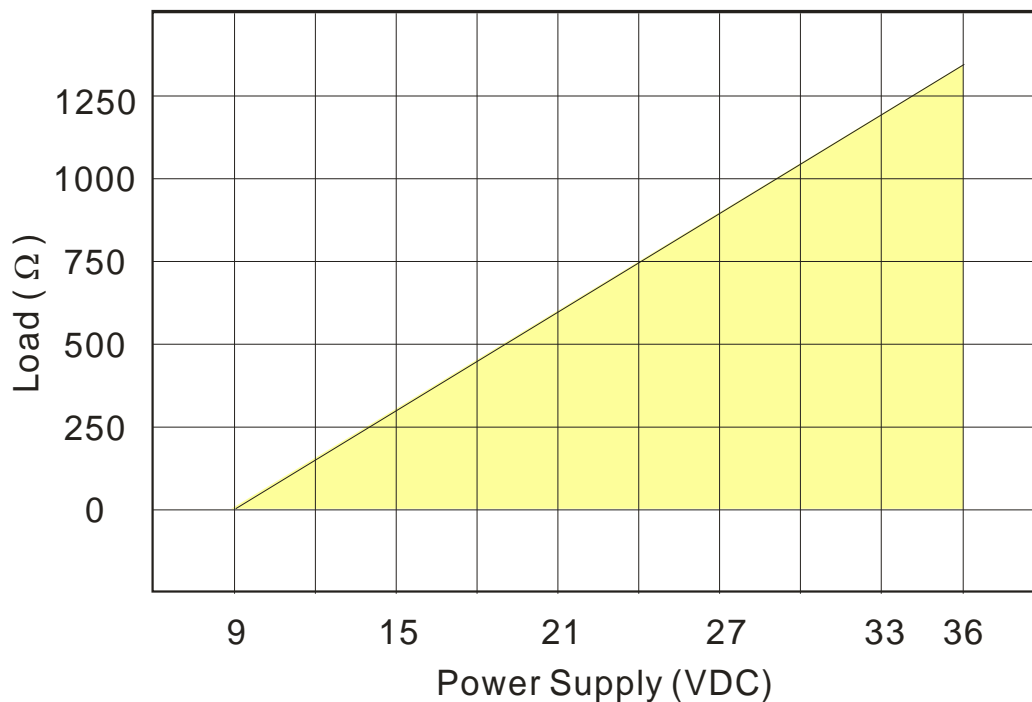
WIRING DIAGRAM



DIMENSIONS



Supply Voltage VS Loop Load





IPS-PT-15

IPS-PT-15

HOW TO ORDER

BASIC MODEL

PRESSURE RANGE

4	0 - 6.0 (0.4) kPa ... 0 - 40 kPa	5	0 - 40 (2.0) kPa ... 0 - 200 kPa
6	0 - 160 (10.0) kPa ... 0 - 1000 kPa	7	0 - 400 (25.0) kPa ... 0 - 2500 kPa
8	0 - 1.6 (0.08) MPa ... 0 - 8.0 MPa	9	0 - 4.0 (0.20) MPa ... 0 - 20 MPa

PROCESS CONNECTION

1	PN10	2	PN16	3	PN25
4	PN40	A	ANSI 150#	B	ANSI 300#
J	JIS 10K	K	JIS 20K	Z	Other

FLANGE RATING

1	1-1/2" (Diaphragm Diameter If Extended: 38mm)	2	2" (Diaphragm Diameter If Extended: 48mm)
3	3" (Diaphragm Diameter If Extended: 66mm)	4	4" (Diaphragm Diameter If Extended: 89mm)

DIAPHRAGM EXTENSION MATERIAL

0	Flush Diaphragm	2	2" (50mm)	4	4" (100mm)	6	6" (150mm)
---	-----------------	---	-----------	---	------------	---	------------

DIAPHRAGM MATERIAL

N	Stainless Steel 316L	B	Hastelloy B	C	Hastelloy C	T	Tantalum
---	----------------------	---	-------------	---	-------------	---	----------

FLANGE MATERIAL

C	Carbon Steel	S4	Stainless Steel 304	S6	Stainless Steel 316
---	--------------	----	---------------------	----	---------------------

LOW PRESSURE SIDE PROCESS CONNECTION

2N	1/4" - 18 NPT	4N	1/2" - 14 NPT(with Adapter)	XYZ	Other
----	---------------	----	-----------------------------	-----	-------

BOLTS & NUTS MATERIAL

N	Carbon Steel	S	Stainless Steel
---	--------------	---	-----------------

FILLING FLUID

SL	Silicone (Max. Temperature 130 °C)	HT	HT Silicone (Max. Temperature 250 °C)
FL	Fluorine (Max. Temperature 160 °C)	VG	Vegetable Oil (Max. Temperature 130 °C)

CABLE ENTRY

1	M20*1.5 Conduit Threads	2	1/2" NPT (Female)	0	Other
---	-------------------------	---	-------------------	---	-------

OPTIONS

NNN	None	EXP	Explosion Proof Ex D IIB T5	HTS	Hart Signal (Compatible)
SS6	Stainless Steel 316 Name Plate and Tag Plate				
XYZ	Others				

X

X

X

X

X

X

XXX

X

XX

X

XXX



Industrix Precise Solutions Private Limited

Room No – 303, Bhumika Residency, Plot No-21, Sector-20, Roadpali, Kalamboli, Panvel (Tal.), Raigad (Dist.), Maharashtra, India – 410218.

Mobile: +91 99309 98399 / +91 99674 97447

E-mail: admin@ipspl.in / sales@ipspl.in Website: www.ipspl.in

CIN : U52399MH2021PTC368555