

# SMART PRESSURE TRANSMITTER



## GAUGE PRESSURE TYPE

IPS-PT-13

### Special Features:

Temperature Compensated  
HART Communication  
90° Horizontal Tilt Display  
Explosion Proof with Intrinsic Safety  
Display of Pressure, Temperature and Current  
0 - 100% Bar Graph Indication  
Zero Transfer, Range Setting Through Keypad



### Overview:

IP SPL's SMART gauge pressure transmitter provides a kind of reliable measuring way. It is used for measuring pressure, level, density of liquid, gas or steam and convert the value of above into current signal output or digital protocol output.

The pressures are directly applied to the isolating diaphragm that provide isolation and resistance against process fluid corrosion. Being micro processor based, the electronic circuit is extremely versatile and accurate. Combined with the sensor precision, it provides a high accuracy and high rangeability. Transmitter performance is improved by continuous monitoring of the temperature and corresponding compensation. A local display permits easy reading of data.

### Performance Specifications:

Media Compaibility	:	Liquids, Gases and Steam
Measuring Ranges	:	10mbar ~ 700 bar
Output Signal	:	4 - 20mA, 2 Wire, HART Superimposed
Power Supply	:	12 - 45V DC
Operating Temperature	:	-20 ~ 120°C; Optionally Available for Temperatures ranges -75 ~ 150°C with accessories;
Operating Humidity	:	5 ~ 95% RH
Standard Accuracy	:	0.075% of F.S
Optional Accuracy	:	0.06% of F.S
Premium Accuracy	:	0.04% of F.S,
Zero & Span Setting	:	Onboard Keypad
Range Setting	:	Onboard Keypad
Process Connection	:	1/2" NPT(F)
Over Pressure	:	2X
Zero Elevation	:	On Site through Onboard Keypad
Zero Suppression	:	On Site through Onboard Keypad
Units Available	:	kPa, in H <sub>2</sub> O, mHg, ft H <sub>2</sub> O, mm H <sub>2</sub> O, mmHg, psi, bar, mbar, Pa, MPa
Enclosure Housing	:	Die cast Aluminium
Mounting	:	Bottom Mounting
Fill Fluid	:	Silicon DC 200 / 704
Diaphragm	:	AISI 316LSS / Monel / Hastalloy C / Tantalum
Flange / Adaptor	:	AISI 316LSS / Monel / Hastalloy C / Carbon Steel
Wetted O-Ring	:	Viton / Buna N
Seal O-Ring	:	Viton / Buna N
Agency Approval	:	CE



**Industrix Precise Solutions Private Limited**

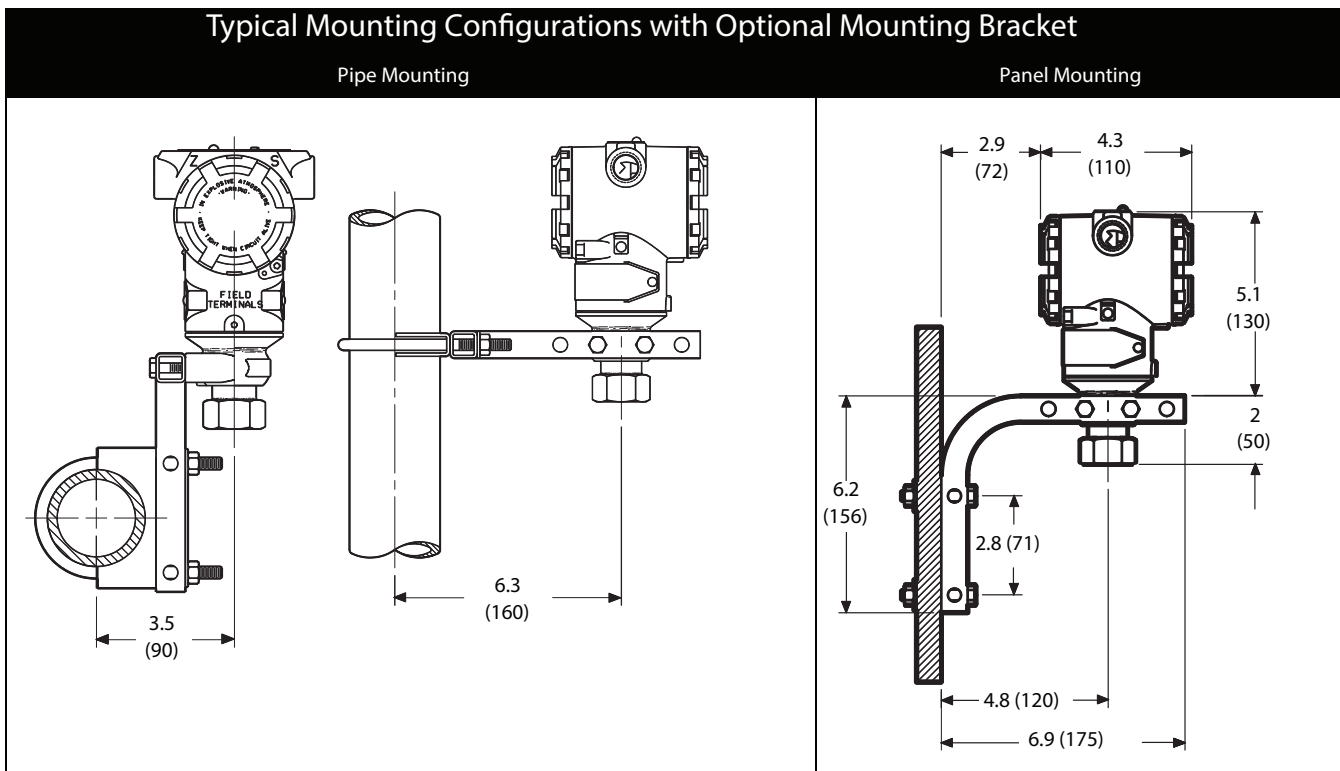
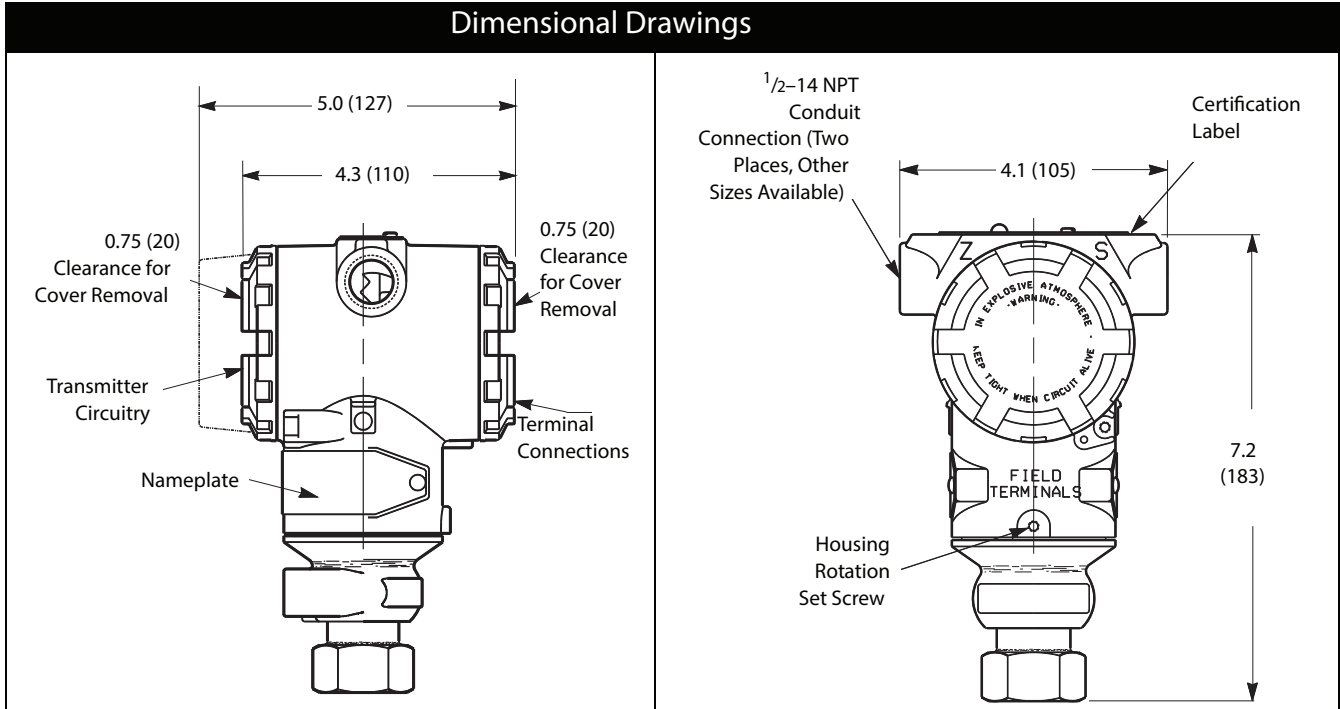
Room No – 303, Bhumika Residency, Plot No-21, Sector-20, Roadpali, Kalamboli, Panvel (Tal.), Raigad (Dist.),  
Maharashtra, India – 410218.

Mobile: +91 99309 98399 / +91 99674 97447

E-mail: [admin@ipspl.in](mailto:admin@ipspl.in) / [sales@ipspl.in](mailto:sales@ipspl.in) Website: [www.ipspl.in](http://www.ipspl.in)

CIN : U52399MH2021PTC368555

## Dimensions:



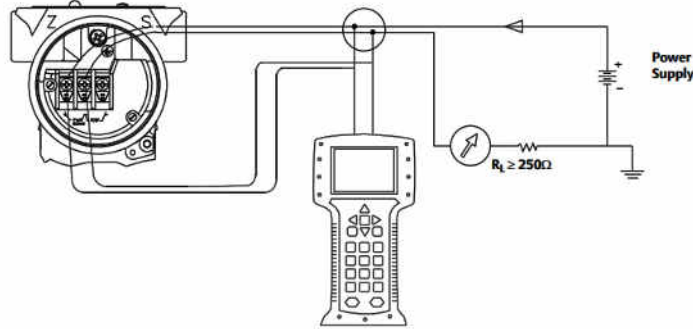
Dimensions are in inches (millimeters)

# SMART PRESSURE TRANSMITTER



IPS-PT-13

## Wiring Method :



## HOW TO ORDER

### Basic Model:

IPS-PT-13

### Pressure Range:

2	0 ~ 0.125 - 1.5 kPa
3	~ 1.5 - 7.5 kPa
4	0 ~ 6.5 - 40.0 kPa
5	0 ~ 35.0 - 200.0 kPa
6	0 ~ 135.0 - 1000 kPa
7	0 ~ 345.0 - 2000 kPa
8	0 ~ 1170 - 6890 kPa
9	0 ~ 3450 - 20680 kPa
0	0 ~ 6890 - 41370 kPa

### Signal Output:

E	4 - 20mA DC
S	4 - 20mA DC, 2 Wire, HART Superimposed

### Material of Construction:

	Connection	Diaphragm
22	AISI 316 SS	AISI 316LSS
23	AISI 316 SS	Hastealloy C
24	AISI 316 SS	Monel
25	AISI 316 SS	Tantalum
33	Hastealloy C	Hastealloy C
35	Hastealloy C	Tantalum
44	Monel	Monel

### Options:

M1	0 - 100% Analogue Indicator
M3	4 1/2 LCD Display

X

X

XX

XX

\*\*MATERIAL TEST CERTIFICATE WILL BE PROVIDED ONLY FOR WETTED PARTS WITH CHEMICAL COMPOSITION TESTING.FOR OTHERS PLEASE CONTACT FACTORY.

Note: Specifications and dimensions given in this catalogue the state of engineering at the time of printing.  
Modifications may take place and material specified may be replaced by others without prior notice.



## Industrix Precise Solutions Private Limited

Room No – 303, Bhumika Residency, Plot No-21, Sector-20, Roadpali, Kalamboli, Panvel (Tal.), Raigad (Dist.), Maharashtra, India – 410218.

Mobile: +91 99309 98399 / +91 99674 97447

E-mail: [admin@ipspl.in](mailto:admin@ipspl.in) / [sales@ipspl.in](mailto:sales@ipspl.in) Website: [www.ipspl.in](http://www.ipspl.in)

CIN : U52399MH2021PTC368555