

PRESSURE TRANSMITTERS FLUSH MOUNT TYPE

85 Deg C | 150 Deg C | 250 Deg C



IPS-PT-05

OVERVIEW

IPS-PS-05 Sanitary Flush Pressure Transmitter adopts flush diaphragm to directly receive pressure signal, takes diffused silicon pressure sensor as sensitive element and uses standard silicone or olive oil as pressure transfer medium. With compact structure, corrosion resistance, vibration resistance and wide range temperature compensation, stainless steel 316L and specially welded flush isolation diaphragm are used for measurement end. It prevents fouling due to its exposed diaphragm, which is especially applicable to measure viscous fluid pressure with sanitary requirements of health care and food industry, solving problems of fouling, block, cleaning and sanitation. It is also widely applicable to sanitary industries and occasions with fouling forming medium.



FEATURES

- 316L flush diaphragm structure adopted for pressure connection
- Sanitary, anti-fouling
- Wide pressure range, can measure absolute pressure, gauge pressure and sealed reference pressure
- Good seal, long-term stable work
- With cooling fans, excellent performance for high temperature medium application
- Optional output signal, can be customized

APPLICATIONS

- Occasion with easy block, high sanitary requirement and convenient cleaning such as medicine and health care, food, liquor-making, dairy and drinks
- Environmental protection chemical coating, polyurethane equipment, paint detection system etc.

NOTES:

1. Do not touch the diaphragm with hard objects, which may cause damage to the diaphragm.
2. Please read the Instruction Manual of the product carefully before installation and check the relevant information of the product.
3. Strictly follow the wiring method for wiring, otherwise it may cause product damage or other potential faults.
4. Misuse of the product may cause danger or personal injury.



Industrix Precise Solutions Private Limited

Room No – 303, Bhumika Residency, Plot No-21, Sector-20, Roadpali, Kalamboli, Panvel (Tal.), Raigad (Dist.), Maharashtra, India – 410218.

Mobile: +91 99309 98399 / +91 99674 97447

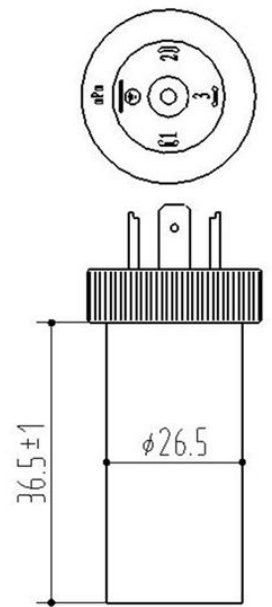
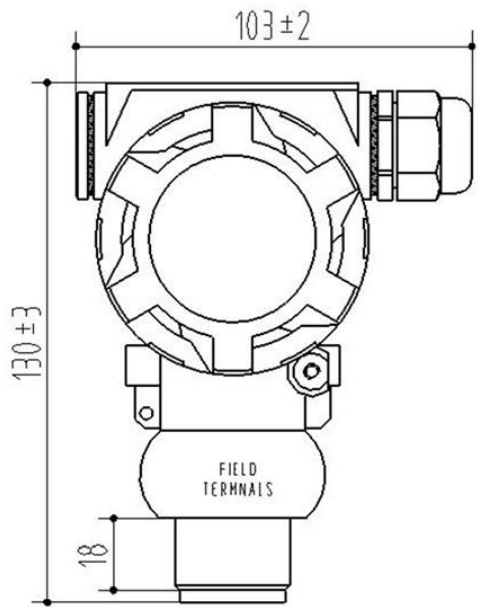
E-mail: admin@ipspl.in / sales@ipspl.in Website: www.ipspl.in

CIN : U52399MH2021PTC368555

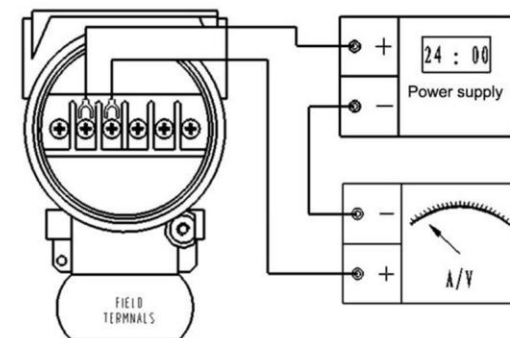
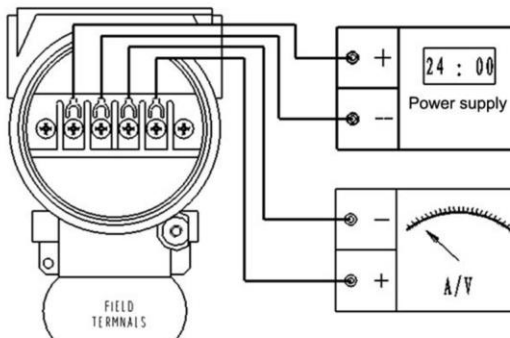
Performance parameters

Pressure range	-100kPa...0~10kPa...10MPa
Pressure reference	Gauge pressure, absolute pressure, sealed gauge pressure
Supply & output	4~20mA (12~30VDC) 0~5V, 1~5V, 0.5~4.5V, 0~10V (12~24VDC)
Accuracy	±0.5%FS
Hysteresis & repeatability	0.1%FS 1.5%FS (@-20°C~85°C)
Temperature drift	≤1ms (up to 90%FS)
Response time	≥10×10 ⁶ pressure cycles
Service life	-20°C~85°C
Operating temp.	-40°C~85°C
Storage temp.	-40~85°C (without cooling fans)
Medium temp.	-40~150°C (with 3 cooling fans), -40°C~250°C (with 5 cooling fans) ≥100MΩ/250VDC
Insulation resistance	Sine curve: 20g, 25Hz~2kHz; IEC 60068-2-6
Vibration resistance	Random: 7.5grms, 5Hz~1kHz; IEC 60068-2-64 IP65
Protection	All the media compatible with stainless steel 316L
Medium compatibility	

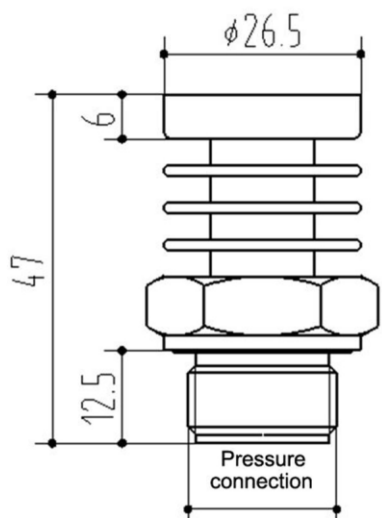
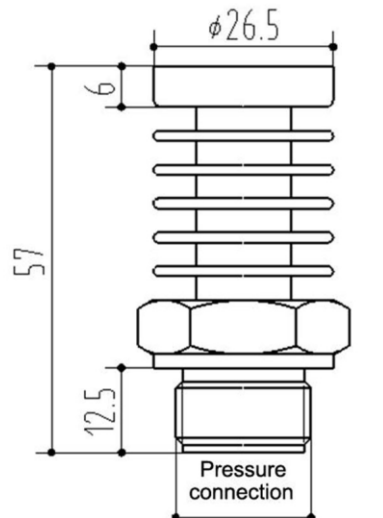
Electrical connection and wiring method

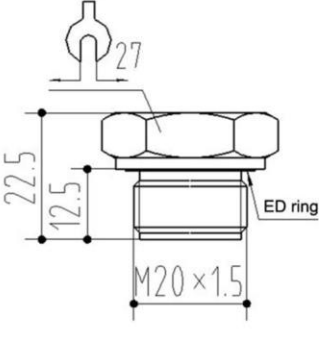
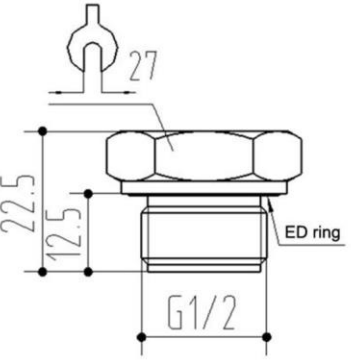
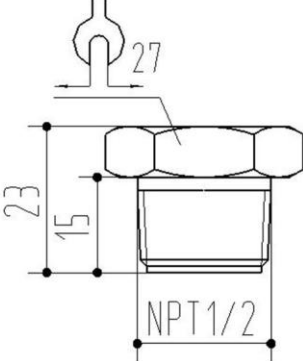
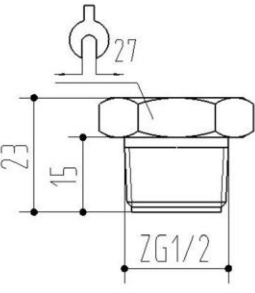
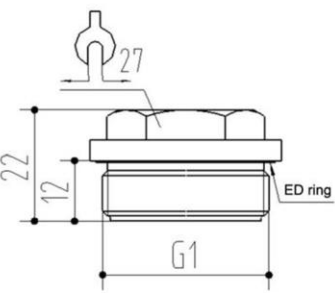
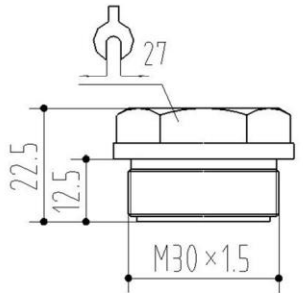
Connector code	5: DIN 43650	1: 2088 housing
Dimension In mm		
Protection	IP65	IP65

Electrical connection and wiring method (cont.)

<p>Connection mode (Current output)</p>	<p>Pin 1: Supply Pin 2: Current output</p>	
<p>Connection mode (Voltage output)</p>	<p>Pin 1: Supply Pin 2: GND Pin 3: Voltage output</p>	

Cooling fan design

Cooling fan code	3: 3 cooling fans	5: 5 cooling fans
<p>Dimension In mm</p>		
<p>Optional thread</p>	<p>M20×1.5-6g, G1/2, M30×1.5</p>	<p>M20×1.5-6g, G1/2</p>

Pressure Connection			
Thread code	1: M20×1.5-6g	2: G1/2	7: NPT1/2, Z1/2
Dimension In mm			
Thread code	10: R1/2, PT1/2, ZG1/2	17: G1	26: M30×1.5
Dimension In mm			

Note: 1. Recommended torque: 15~25N • m

2. Recommended torque depends on a number of factors such as gasket material, supporting material, thread lubrication and pressure.

Pressure range selection

Code	Pressure reference	Pressure range 0~	Overpressure	Burst pressure	Remark
10k	G	10kPa	300%FS	500%FS	
20k	G	0~20kPa	300%FS	500%FS	
35k	G	0~35kPa	300%FS	500%FS	
70k	G	0~70kPa	300%FS	500%FS	
100k	G, A	0~100kPa	200%FS	300%FS	
160k	G	0~160kPa	200%FS	300%FS	
250k	G	0~250kPa	200%FS	300%FS	
400k	G	0~400kPa	200%FS	300%FS	
600k	G	0~600kPa	200%FS	300%FS	
1M	G, S	0~1MPa	200%FS	300%FS	
1.6M	G, S	0~1.6MPa	200%FS	300%FS	
2.5M	G, S	0~2.5MPa	200%FS	300%FS	
6M	S	0~6MPa	150%FS	300%FS	
10M	S	0~10MPa	150%FS	300%FS	

Note: G-Gauge pressure, A-Absolute pressure, S-Sealed gauge pressure

IPS-PT-05 1.6M G G 2 2 A 5	
MODEL FAMILY	HOUSING
IPS-PT-05 Pressure Transmitter Flush Mount	1 = 2088 Housing 1X = 2088 Housing with Display 5 = DIN 43650
PRESSURE RANGE	WETTED MATERIALS
Insert Pressure Range	A = Stainless Steel
PRESSURE REFERENCE	PROCESS CONNECTION
G = Gauge A = Absolute Pressure S = Sealed Pressure Gauge	1 = ½" NPT (M) 2 = G½" (M) 3 = M20 x 1.5 (M) - (6G) 7 = ½" Z (M) 10 = ½" R (M), ½" ZG (M) 17 = 1" G (M) 26 = M30 x 1.5
OUTPUT	COOLING FAN
1 = 4 - 20 mA 2 = 1 - 5 V 3 = 0 - 5 V 4 = 0 - 10 V 5 = 1 - 10 V (12 ~ 30VDC) 6 = 0.5 ~ 4.5V R/M(5VDC)	1 = 3 Pieces (Medium temp. 150°C) 2 = 5 Pieces (Medium temp. 250°C)

Example:

Refer to product model ASPT-11f, with pressure range 0 ~ 1.6MPa, gauge pressure, output 4 ~ 20mA, pressure connection M20×1.5, 3 cooling fans, electrical connection DIN43650.

ORDERING TIPS

1. Please note the compatibility of wetted part with the measured medium during the selection.
2. If there are special requirements for product appearance and performance parameters, we can provide customization.

Due to continuous development of our products technical information's are subject to change. Please ensure the compatibility between the measured medium and the contacting part of the product when placing an order.

IPSPL reserves the right to make any change in this datasheet without notice. The information provided is believed to be accurate and reliable as of this product sheet. Contact factory for custom configurations not shown

