

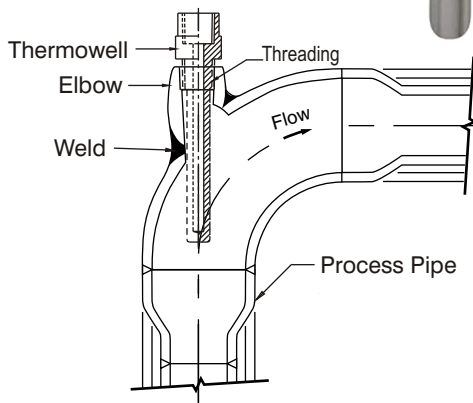
BARSTOCK (SCREWED)



Special Features

- Design as per PTC 19.3.
- These Thermowells are manufactured from solid bar stock and installed into the process with the help of threaded process connection.
- This design is suitable for all type of RTD's, Thermocouples, mechanical as well as digital thermometers.
- Available in various shapes like Straight, Straight with reduced tip, Partial taper & full taper.

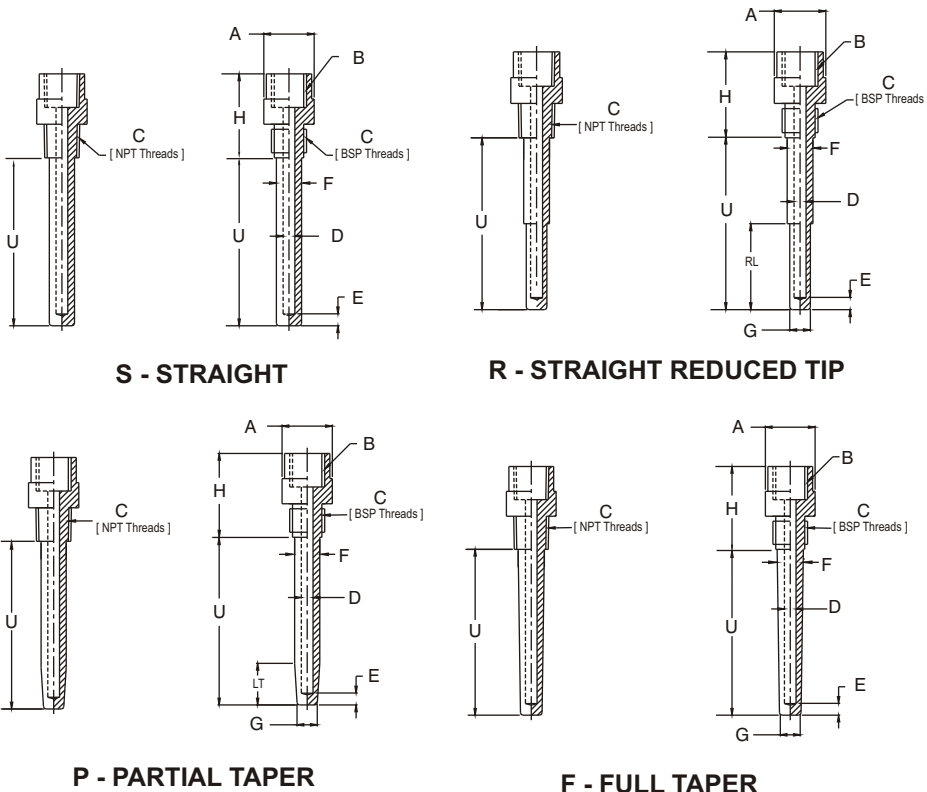
Thermowell Installation



Applications

Chemical plants, Petrochemical Plants, Engineering Plants, On shore, Offshore & other similar process industries.

Thermowell Drawings



- A - Finished Head Size
- B - Instrument Connection
- C - Process Connection
- D - Bore Diameter
- E - Tip Thickness
- F - Major Diameter
- G - Minor Diameter
- H - Extension Length
- U - Insertion Length
- RL - Reduced Tip Length
- LT - Taper Length



HOW TO ORDER

BASIC MODEL

TYPE

S - STRAIGHT **R** - STRAIGHT REDUCED TIP **P** - PARTIAL TAPER **F** - FULL TAPER

MATERIAL

LQ Carbon Steel	EP AISI 410 SS	LT Monel	LV Titanium
LP AISI 304 SS	EQ AISI 347 SS	LU Inconel 600	LW Tantalum
LM AISI 316 SS	LO AISI 316Ti SS	ES Inconel 625	LX Nickel
LN AISI 316L SS	ER AISI 304L SS	ET Incolloy 800	LY HRS 446
EN AISI 321 SS	LR Hastelloy B	EU Incolloy 825	LZ Alloy 20
EO AISI 310 SS	LS Hastelloy C	MQ Brass	EV Kanthal

Note : Other Materials are available on request.

INSTRUMENT CONNECTION "B"

3BF 3/8" BSP (F)	4BF 1/2" BSP (F)	5BF 3/4" BSP (F)	3MF M18 x 1.5 (F)
3NF 3/8" NPT (F)	4NF 1/2" NPT (F)	5NF 3/4" NPT (F)	4MF M20 x 1.5 (F)
3TF 3/8" BSPT (F)	4TF 1/2" BSPT (F)	5TF 3/4" BSPT (F)	5MF M22 x 1.5 (F)
3PF 3/8" G (F)	4FF 1/2" PF (F)	6BF 1" BSP (F)	6MF M24 x 1.5 (F)
	4YF 1/2" R (F)	6NF 1" NPT (F)	7MF M27 x 2 (F)
	4PM 1/2" G (M)	6TF 1" BSPT (F)	9MF M33 x 2 (F)

Note : Other Connections are available on request.

PROCESS CONNECTION

3BM 3/8" BSP (M)	4BM 1/2" BSP (M)	5BM 3/4" BSP (M)	6BM 1" BSP (M)	4MM M 20 x 1.5 (M)
3NM 3/8" NPT (M)	4NM 1/2" NPT (M)	5NM 3/4" NPT (M)	6NM 1" NPT (M)	6MM M 24 x 1.5 (M)
3TM 3/8" BSPT (M)	4TM 1/2" BSPT (M)	5TM 3/4" BSPT (M)	6TM 1" BSPT (M)	7MM M 27 x 2 (M)
3PM 3/8" G (M)	4FM 1/2" PF (M)	5FM 3/4" PF (M)	6FM 1" PF (M)	9MM M 33 x 2 (M)
	4YM 1/2" R (M)	5YM 3/4" R (M)	6YM 1" R (M)	
	4PM 1/2" G (M)	5PM 3/4" G (M)	6PM 1" G (M)	

Note : Other Connections are available on request.

FINISHED HEAD SIZE^A (Refer Table 1.1 for selection of Head Size for Thermowell.)

Please Specify in mm

e.g. : For 28 mm Finished head Size, specify **A28**

TYPE OF HEAD

K HEX HEADED* **M** ROUND HEADED WITH SPANNER SLOTS.

* Maximum "U" Length below thread will be 250 mm.

EXTENSION / LAGGING LENGTH "H"

H50 (Standard)

For e.g. : for length 75 mm, mention **H75**

BORE DIAMETER "D"

A 6.6 mm	B 7 mm	C 8.5 mm	D 9 mm
E 10.5 mm	F 11 mm	G 13 mm	H 13.5 mm

Note : Refer Table 1.3 of Thermowell Design Procedure for dimensions as per PTC 19.3

IPS-TW-02

X

XX

XXX

XXX

XXX

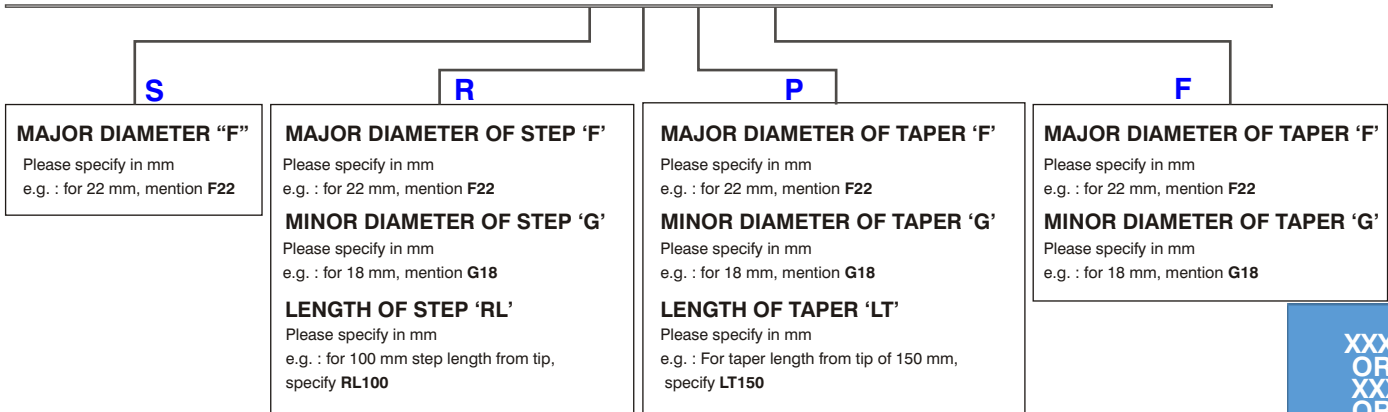
X

XXX

X



MAJOR DIAMETER "F"



Note : Refer Table 1.3 of Thermowell Design Procedure for dimensions as per PTC 19.3

TIP THICKNESS "E"

Standard Tip Thickness is 5 mm.
 For others, please specify in mm.
 e.g. : Specify **E5** for 5 mm Tip Thickness

INSERTION LENGTH "U"

Please specify in mm
 e.g. : for 250 mm, mention **U250**

Note : Refer Table 1.4 of Thermowell Design Procedure for dimensions as per PTC 19.3

OPTIONS

GG	Plug and chain in SS	SX	SS Tag Plate	CX	Marking by Engraving
FW	Electro polishing	CW	Marking by Laser		

TESTS & CERTIFICATION

C1	Radiography for Bore Concentricity	C7	Wake Frequency Calculations as per PTC 19.3*
C2	IBR Certification	C8	Certification for Hydrogen Service
C3	Mechanical Test	C9	Certification for Oxygen Service
C4	Ultrasonic Test	T1	Chemical Composition Test
C5	PMI Test	T2	3.1B Material Conformity Certificate
C6	IGC Test	TF	Tested to NACE Standard

* Please Specify Fluid, Max. Pressure, Temperature & Flow velocity for wake frequency calculations as per PTC 19.3

Note : Specifications and dimensions given in this product catalogue represents the state of engineering at the time of printing.
 Modifications may take place and materials specified may be replaced by others without prior notice.

XXX
OR
XXX
OR
XXXXX

XX

XXXX

XX

XX



Industrix Precise Solutions Private Limited

Room No – 303, Bhumika Residency, Plot No-21, Sector-20, Roadpali, Kalamboli, Panvel (Tal.), Raigad (Dist.), Maharashtra, India – 410218.

Mobile: +91 99309 98399 / +91 99674 97447

E-mail: admin@ipspl.in / sales@ipspl.in Website: www.ipspl.in

CIN : U52399MH2021PTC368555