

# DIAPHRAGM SEAL



IPS-DS-03

## FLUSH DIAPHRAGM, SANITARY TYPE

### SPECIAL FEATURES

- ALL 316 STAINLESS STEEL
- LASER WELDED FLUSH DIAPHRAGM
- QUICK CONNECT / DISCONNECT FOR EASY CLEANING
- MATCHING DIN, SMS, RJT ETC. STANDARDS

### APPLICATIONS

DIAPHRAGM SEALS ARE PROVIDED IN THE INSTRUMENTS LIKE PRESSURE GAUGES, SWITCHES, TRANSMITTERS IN ORDER TO ISOLATE THE SENSING ELEMENT FROM THE MAIN SERVICE DUE TO ITS CORROSIVE, VISCOUS AND SEDIMENTED NATURE AND TO AVOID CLOGGING AND SOLIDIFICATION. THESE SEALS ARE SPECIALLY DESIGNED FOR APPLICATIONS WHERE HIGH PURITY IN THE PROCESS IS ESSENTIAL. - TYPICALLY IN FOOD, BEVERAGES, DAIRY AND PHARMACEUTICAL INDUSTRIES.

### SPECIFICATIONS

#### STANDARD VERSION

Range	:	Refer range table with Nominal Sizes
Process Temperature	:	10°C to 150°C or as per fill fluid
Instrument Connection	:	1/2" BSP (F)
Process Connection	:	As per DIN 11851, SMS, RJT, IDF
Mounting	:	Direct (Without capillary)

Diaphragm	:	AISI 316L SS
Unit Nut	:	AISI 316 SS
Body	:	AISI 316 SS
Fill Fluid	:	Glycerin



### DIMENSIONS - STANDARD VERSION

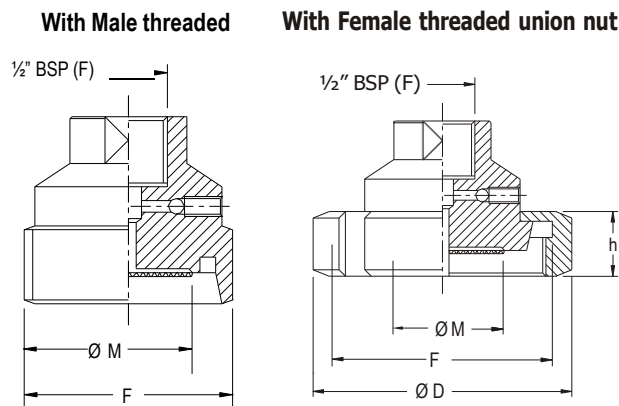
DIN 11851		
DN	M	F(DIN 405)
25*	20	Rd 52 x 1/6
32	30	Rd 58 x 1/6
40	30	Rd 65 x 1/6
50	40	Rd 78 x 1/6

\* Connection 1/4" BSP (F)

SMS		
DN	M	F(DIN 405)
1 1/2"	30	Rd 60 x 1/6
2"	40	Rd 70 x 1/6

RJT/APV		
DN	M	F (Whitworth)
1 1/2"	30	2" 5/16 x 8
2"	40	2" 7/8 x 6

IDF/ISS		
DN	M	F(ACME)
1 1/2"	29	2" 1/32 x 8
2"	36	2" 9/16 x 8



DIN 11851				
DN	h	D	M	F(DIN 405)
25*	21	63	30	Rd 52 x 1/6
32	21	70	30	Rd 58 x 1/6
40	21	78	40	Rd 65 x 1/6
50	22	92	50	Rd 78 x 1/6

\* Connection 1/4" BSP (F)

SMS				
DN	h	D	M	F(DIN 405)
1 1/2"	25	74	30	Rd 60 x 1/6
2"	26	84	40	Rd 70 x 1/6

RJT/APV				
DN	h	D	M	F (Whitworth)
1 1/2"	22	Hex. 65	30	2" 5/16 x 8
2"	22	Hex. 79	40	2" 7/8 x 6

IDF/ISS				
DN	h	D	M	F(ACME)
1 1/2"	30	64	30	2" 1/32 x 8
2"	30	77	40	2" 9/16 x 8

Notes : • Drawings are not to scale. • All Dimensions are in mm.



## Industrix Precise Solutions Private Limited

Room No – 303, Bhumika Residency, Plot No-21, Sector-20, Roadpali, Kalamoli, Panvel (Tal.), Raigad (Dist.), Maharashtra, India – 410218.

Mobile: +91 99309 98399 / +91 99674 97447

E-mail: [admin@ipspl.in](mailto:admin@ipspl.in) / [sales@ipspl.in](mailto:sales@ipspl.in) Website: [www.ipspl.in](http://www.ipspl.in)

CIN : U52399MH2021PTC368555

# DIAPHRAGM SEAL

## RANGE TABLE WITH NOMINAL SIZES

Nominal Size of Gauge	50 & 63 mm	50 & 63 mm	50, 63, 100 & 150 mm	50, 63, 100 & 150 mm
Connection Standard	DIN/ IDF/ ISS	DIN/ IDF/ ISS/ SMS/ RJT	DIN/ IDF/ ISS/ SMS/ RJT	DIN
Connection Size	25 mm (1")	32 mm (1.5")	40 mm (2")	50 mm
Ranges (bar)				
1.6	✓	✓	✓	✓
2	✓	✓	✓	✓
4	✓	✓	✓	✓
7	✓	✓	✓	✓
10	✓	✓	✓	✓
14	✓	✓	✓	✓
16	✓	✓	✓	✓
21	✓	✓	✓	✓
25	x	x	✓	✓
28	x	x	✓	✓
40	x	x	✓	✓
-1 to 4	x	✓	✓	✓
-1 to 7	x	✓	✓	✓
-1 to 10	x	✓	✓	✓
-1 to 14	x	✓	✓	✓
-1 to 21	x	✓	✓	✓



### HOW TO ORDER

#### BASIC MODEL

#### CODE

#### OPTIONAL EXTRAS

#### PROCESS CONNECTION TYPE

**M** WITH MALE THREADED CONNECTION      **F** WITH FEMALE THREADED UNION NUT

#### PROCESS CONNECTION STANDARD & SIZE

**KH** DIN (25, 32, 40 OR 50 mm)      **KJ** RJT/APV (1½" OR 2")  
**KI** SMS (1½" OR 2")      **KK** IDF / ISS (1½" OR 2")

(Example - Write KH DIN 25 )

#### INSTRUMENT CONNECTION

**VN** 1/4" BSP (F) (Standard for DIN 25 & NS 50 & 63 mm)      **VO** 1/4" NPT (F)  
**VL** ½" BSP (F)(Standard)      **VM** ½" NPT (F)

#### DIAPHRAGM

**UJ** AISI 316L SS (Standard)

#### FILLING FLUIDS

**UF** GLYCERIN [10 to 150 °C / 50 to 302 °F] (Standard)      **UG** LIQUID PARAFFIN [10 to 200 °C / 50 to 392 °F]  
**UV** FOOD GRADE OIL [-20 to 140 °C / -4 to 284 °F]

#### BODY

**CL** AISI 316 SS (Standard)      **CM** AISI 316L SS

#### OPTIONS

#### GASKET (SEALING RING)

**FA** DIN (25, 32, 40 OR 50 mm)      **FC** RJT/APV (1½" OR 2")  
**FB** SMS (1½" OR 2")      **FD** IDF / ISS (1½" OR 2")

#### GASKET (SEALING RING) MATERIAL

**VU** SILICON (Standard)      **VI** PTFE

#### BOTTOM MATING PART (MALE OR FEMALE)

**KLM** DIN (25, 32, 40 OR 50mm)      **KNM** RJT / APV (1½" OR 2")      **KLF** DIN (25, 32, 40 OR 50mm)      **KNF** RJT / APV (1½" OR 2")  
**KMM** SMS (1½" OR 2")      **KOM** IDF / ISS (1½" OR 2")      **KMF** SMS (1½" OR 2")      **KOF** IDF / ISS (1½" OR 2")

(Example - To select male part, write KLM DIN 25 & to select female part, write KMF SMS 1½")

#### REMOTE MOUNTING (With capillary of Max. Up to 2 Mtrs.)

SPECIFY IN METERS (e.g. 1.5 = 1.5 METERS 2.0 = 2 METERS)

#### CAPILLARY

**PE** AISI 304 SS      **PG** AISI 316 SS

#### CAPILLARY COVERED WITH ARMOUR (Applicable with PE or PG if selected)

**PF** AISI 304 SS      **PH** AISI 316 SS      **PI** PVC (Ambient Temp. Max. 60°C)

#### OTHER OPTIONS

**TB** HELIUM LEAK TEST      **TC** DRY SEAL ONLY WITHOUT INSTRUMENT      **GH** MATERIAL TEST CERTIFICATES\*

\* MATERIAL TEST CERTIFICATES WILL BE PROVIDED FOR WETTED PARTS ONLY WITH CHEMICAL COMPOSITION TESTING. FOR OTHERS, PLEASE CONSULT FACTORY.

Note : Specifications and dimensions given in this product catalogue represents the state of engineering at the time of printing.

Modifications may take place and materials specified may be replaced by others without prior notice.

IPS-DS-03

X

XX XXX (1

XX

XX

XX

XX

XX

XX

XXX

1Mtr.

XX

XX

XX



## IndustriX Precise Solutions Private Limited

Room No – 303, Bhumika Residency, Plot No-21, Sector-20, Roadpali, Kalamboli, Panvel (Tal.), Raigad (Dist.), Maharashtra, India – 410218.

Mobile: +91 99309 98399 / +91 99674 97447

E-mail: [admin@ipspl.in](mailto:admin@ipspl.in) / [sales@ipspl.in](mailto:sales@ipspl.in) Website: [www.ipspl.in](http://www.ipspl.in)

CIN : U52399MH2021PTC368555