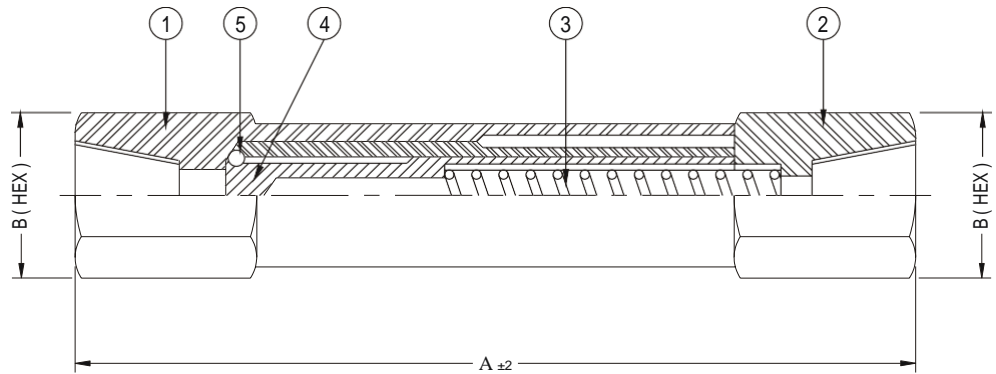


CHECK VALVE (Non Return Valve)



IPS-NV-01



Note : Other combination sizes available on request. Please contact us for more details.

DIMENSIONS

| SR No | Description | Qty | Materials |
|-------|-------------|-----|-----------------|
| 5 | "O" Ring | 1 | Viton |
| 4 | Poppet | 1 | SS 304 / SS 316 |
| 3 | Spring | 1 | SS 304 / SS 316 |
| 2 | Adaptor | 1 | SS 304 / SS 316 |
| 1 | Body | 1 | SS 304 / SS 316 |

| Size | A | B |
|----------------|-----|----|
| 1/4" - F x F | 62 | 19 |
| 3/8" - F x F | 72 | 22 |
| 1/2" - F x F | 78 | 27 |
| 3/4" - F x F | 86 | 32 |
| 1" - F x F | 100 | 36 |
| 1 1/4" - F x F | 110 | 50 |
| 1 1/2" - F x F | 120 | 56 |
| 2" - F x F | 130 | 62 |

Pressure : up to 6000 psi
 Temperature : p to 400°C



Industrix Precise Solutions Private Limited

Room No – 303, Bhumika Residency, Plot No-21, Sector-20, Roadpali, Kalamboli, Panvel (Tal.), Raigad (Dist.), Maharashtra, India – 410218.

Mobile: +91 99309 98399 / +91 99674 97447

E-mail: admin@ipspl.in / sales@ipspl.in Website: www.ipspl.in

CIN : U52399MH2021PTC368555