

TEMPERATURE SWITCH

FLAME PROOF FILLED



IPS-TS-02

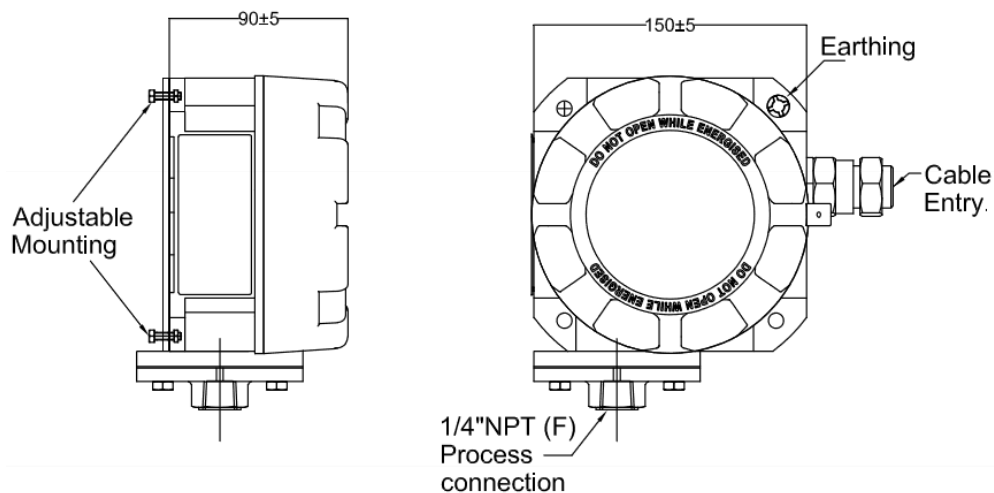
SPECIAL FEATURES

- HIGH ACCURACY & REPEATABILITY
- SS WETTED PARTS
- SET POINT LOCKING
- HIGHLY RELIABLE

APPLICATIONS

- BOILER, FURNACE, TURBINES, COMPRESSORS, OIL & GAS, CONVENTIONAL & NUCLEAR POWER PLANTS, WASTE WATER TREATMENT, MINES, PETROCHEMICAL, FOOD & PHARMACEUTICAL, CHEMICAL & FERTILIZER, CEMENT, TEXTILE, PUMPS, GLASS, PAINT, PULP & PAPER, MARINE INDUSTRIES.

DIMENSIONAL DETAILS



TECHNICAL SPECIFICATIONS - STANDARD VERSION

Repeatability	:	± 1% F. S.
Scale Accuracy	:	± 3% F. S.
Scale	:	°C
Range	:	Refer "How to order"
Maximum Temperature Limit	:	130% of F. S.
Differential	:	Fixed
Mounting	:	Direct / Panel
Process Connection	:	½" BSP (M)
Enclosure Protection	:	IP66
Enclosure Material	:	Die Cast Aluminum
Switch	:	1 SPDT
Switch Rating	:	15 A, 250 VAC, 0.2 A, 220 VDC
Sensor	:	Bulb (Gas filled)
Sensor Material	:	AISI 316 SS
Diaphragm	:	AISI 316 L SS
Cable Gland	:	DIN Connector for 1 SPDT
	:	PG 13.5 mm for 2 SPDT & 1 DPDT



IndustriX Precision Solutions Private Limited

Room No – 303, Bhumika Residency, Plot No-21, Sector-20, Roadpali, Kalamboli, Panvel (Tal.), Raigad (Dist.), Maharashtra, India – 410218.

Mobile: +91 99309 98399 / +91 99674 97447

E-mail: admin@ipspl.in / sales@ipspl.in Website: www.ipspl.in

CIN : U52399MH2021PTC368555

HOW TO ORDER

BASIC MODEL

IPS-TS-02

ENCLOSURE

W Weather proof to IP 66 **X** Explosion proof to Class 1, Div. 2, Gas Groups B, C & D

X

PROCESS CONNECTION (# Not recommended for Revolving/ Swivel connections.)

3BM 3/8" BSP (M)* **4BM** 1/2" BSP (M) (Standard)* **5BM** 3/4" BSP (M)
3NM 3/8" NPT (M)*# **4NM** 1/2" NPT (M)*# **4MM** M20 x 1.5 (M)*
3TM 3/8" BSPT (M)*# **4TM** 1/2" BSPT (M)*#

XXX

* Suitable for stem diameter 6 to 10 mm

Note : Connections like Metric/ PT/ PF/ Flaired/ UNF/ G/ R etc can be provided on request.

PROCESS CONNECTION TYPE

ZI ADJUSTABLE (Standard) **ZJ** FIXED **KJ** REVOLVING / SWIVEL
 110 mm

XX

STEM LENGTH (Below thread Max. 600 mm)

Minimum stem Length (Below Thread)	130 mm	120 mm	120 mm	120 mm	
Stem OD	6 / 6.35mm	8 mm	9.5 mm	10 mm	12 mm

100 mm

PLEASE SPECIFY IN mm

STEM DIAMETER

1U 6 mm **2M** 6.35 mm **2C** 8 mm (Standard) **2I** 9.5 mm **2J** 10 mm **2K** 12 mm

XX

RANGE

T100 10 to 100°C **T250** 50 to 250°C **T600** 100 to 600°C
T160 20 to 160°C **T400** 50 to 400°C

XXXX

TYPE

A1 WITH RIGID STEM **A2** WITH CAPILLARY

XX

CAPILLARY LENGTH (Max up to 15 Mtrs.)

IN METERS (e.g. 1.5 = 1.5 METERS 2.0 = 2 METERS)

3 Mtr

CAPILLARY MATERIAL

PE AISI 304 SS **PG** AISI 316 SS

XX

CAPILLARY COVERED WITH ARMOUR (Applicable with PE or PG if selected)

PF AISI 304 SS **PH** AISI 316 SS **PI** PVC (Ambient Temp. Max. 60°C)

XX

TYPE OF MICRO SWITCH (* If selected, only option DPD is applicable for Micro Switch Rating)

1S 1 SPDT **2S** 2 SPDT **1D** 1 DPDT*

XX

MICRO SWITCH RATING *(Applicable for 1 DPDT, Option 1D only & not applicable for Options 1S & 2S)

XXX

Switch Code	Description	AC Rating	AC Rating (Resistive)	DC Rating (Inductive)	Available on 1 SPDT	Available on 2 SPDT
GPL	Low Dead band and Fixed	15 A 250 V	2 A 24 V 0.4 A 110 V 0.2 A 220 V	2 A 24 V 0.4 A 110 V 0.2 A 220 V	Fixed Differential of ZPD, ZPP, ZDD	Fixed Differential of ZPD, ZPP, ZDD
GPH	Standard Dead Band	15 A 250 V	6 A 24 V 0.5 A 110 V 0.25 A 220 V	5 A 24 V 0.05 A 110 V 0.03 A 220 V	Fixed Differential of ZPD, ZPP, ZDD	Fixed Differential of ZPD, ZPP, ZDD
GPA	Adj. Differential Micro Switch	15 A 250 V			Adj. Differential of ZPD, ZPP, ZDD	NA
GPG	Gold Plated Contact	1 A 125 V	0.5 A 28 V		Fixed Differential of ZPD, ZPP, ZDD	Fixed Differential of ZPD, ZPP, ZDD
SES	Environmentally sealed Silver Contact	15 A 250 V	0.4 A 125 V		Fixed Differential of ZPD, ZPP, ZDD	Fixed Differential of ZPD, ZPP, ZDD
SEG	Environmentally sealed Silver Contact		1 A 28 V		Fixed Differential of ZPD, ZPP, ZDD	Fixed Differential of ZPD, ZPP, ZDD
HSS	Hermetically sealed Silver Plated	4 A 230 V	3 A 28 V	2 A 24 V	Fixed Differential of ZPD, ZPP, ZDD	Fixed Differential of ZPD, ZPP, ZDD
HSG	Hermetically sealed Gold Plated	1 A 125 V	NA	NA	Fixed Differential of ZPD, ZPP, ZDD	Fixed Differential of ZPD, ZPP, ZDD
HDC	High DC Rating	10 A 125 V	10 A 125 V	6 A 125 V	Fixed Differential of ZPD, ZPP, ZDD	Fixed Differential of ZPD, ZPP, ZDD
DPD	DPDT Micro Switch	10 A 125 V	0.2 A 250 V		Fixed & Adjustable Differential of ZPD, ZPP, ZDD	NA

OPTIONS

PW CALIBRATION CERTIFICATE **PU** CALIBRATION CERTIFICATE TRACEABLE TO NATIONAL/INTERNATIONAL STANDARDS
SX SS TAG PLATE
GH MATERIAL TEST CERTIFICATES*** **DC** DOUBLE COMPRESSION CABLE GLAND
PM 2" PIPE MOUNTING **WM** WALL MOUNTING BRACKET

XX

Note : Modifications may take place and materials specified may be replaced by others without prior notice due to continuous developments.

