

MAGNEHELIC GAUGES



DIFFERENTIAL PRESSURE GAUGE

For Pharma Application

FEATURES

Diaphragm operated Compact design

APPLICATION

Clean room applications Pharmaceuticals

IPS-PG-19



STANDARD PARAMETERS

| | | |
|---------------------|---|-------------------------------------------------------|
| Accuracy | : | CL 2.0 (Ascending) in general |
| Ambient temperature | : | -40...+65°C |
| Service temperature | : | 60°C max. |
| Pressure limits | : | -20"Hg to 15 psi |
| Over pressure | : | Relief plug opens at approximately 25 psig (1.72 bar) |

MATERIAL OF CONSTRUCTION

| | | |
|---------------------------|---|------------------------------------------------|
| Case | : | Die-cast aluminum |
| Ring / Window | : | Acrylic, screwed in to the case |
| Dial | : | Aluminum, black graduation on white background |
| Pointer | : | Fixed, aluminum, with red tip |
| Diaphragm & blow out plug | : | Silicon Rubber |
| Window | : | Plexi glass |

STANDARD SPECIFICATIONS

| | | |
|--------------------|---|------------------------------------------------|
| Dial size | : | DN100 |
| Range | : | 6...300 mmWC or 60...1,000 Pa or 0.25...250"WC |
| Mounting pattern | : | Back connection / Side connection |
| Process connection | : | 1/8" NPT (F) x 2 Nos. |
| Ingress protection | : | IP 54 |
| Execution | : | Dry |

RANGE TABLE

| CODE | RANGE |
|------|------------|
| | "mmWC" |
| H77 | 0...6 |
| H76 | 0...10 |
| H60 | 0...25 |
| H75 | 0...50 |
| H63 | 0...100 |
| H64 | 0...150 |
| H86 | 0...200 |
| H65 | 0. 250 |
| H78 | 0. 500 |
| H80 | -5...0. +5 |

| CODE | RANGE |
|------|---------------|
| | "Pa" |
| P77 | 0...60 |
| P76 | 0...100 |
| P60 | 0...250 |
| P75 | 0...500 |
| P79 | -30...0...+30 |
| P80 | -50...0...+50 |

| CODE | RANGE |
|------|---------|
| | "in WC" |
| I78 | 0...20 |
| I67 | 0...25 |



Industrix Precise Solutions Private Limited

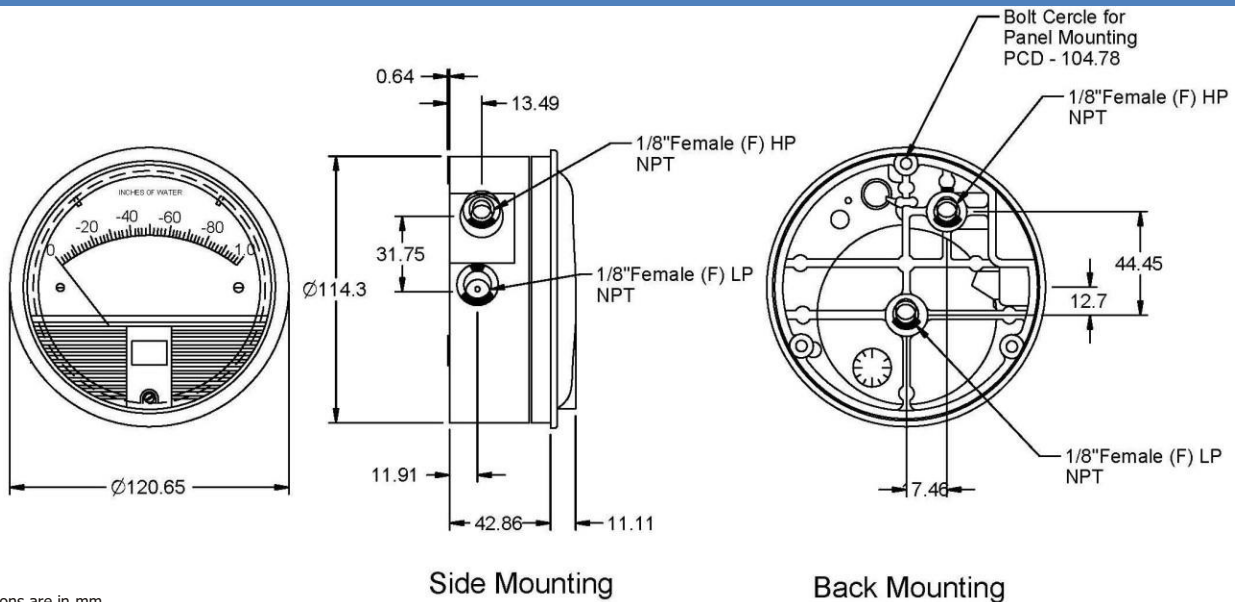
Room No – 303, Bhumika Residency, Plot No-21, Sector-20, Roadpali, Kalamboli, Panvel (Tal.), Raigad (Dist.), Maharashtra, India – 410218.

Mobile: +91 99309 98399 / +91 99674 97447

E-mail: admin@ipspl.in / sales@ipspl.in Website: www.ipspl.in

CIN : U52399MH2021PTC368555

DIMENSIONAL DRAWING



All dimensions are in mm.

HOW TO ORDER

1. MODEL CODE

2. DIAL SIZE

- 03** 80 mm / 3"
- 04** 100 mm / 4"

3. RANGE

- XXX** Refer "Range Table"

4. MOUNTING PATTERN

- R9** Back connection

5. PROCESS CONNECTION

- 01N** 1/8"NPT (F)

IPS-PG-19

XX

XXX

R9

01N

6. INGRESS PROTECTION

- EV** IP 54

7. EXECUTION

- EA** Dry

8. OTHER OPTIONS

- XF** SS tag plate, AISI 304 SS
- XG** SS tag plate, AISI 316 SS
- XR** Custom designed dial
- XT** Dial tag marking

EV

EA

XX

Due to continuous development of our products technical information's are subject to change.

Please ensure the compatibility between the measured medium and the contacting part of the product when placing an order.

IPSPL reserves the right to make any change in this datasheet without notice. The information provided is believed to be accurate and reliable as of this product sheet.
Contact factory for custom configurations not shown