

DIGITAL PRESSURE GAUGE HIGH ACCURACY



ACCURACY $\pm 0.25\%$ FS

IPS-PG-22



BATTERY REMINDER

4 DIGIT DISPLAY

UNIT SELECTOR

BACK LIGHT

ON/OFF

ZERO RESET

IPS-PG-22 is a high-precision intelligent digital pressure gauge. It has a high-precision sensor and displays pressure accurately in real time. It has advantages of high precision and good long-term stability. IPS-PG-22 is equipped with a large size LCD, featuring with functions of zero clearing, back light, on/off button, units switching and low-pressure alarm. It is convenient to install and easy to operate. The housing and connector of IPS-PG-22 are made of stainless steel 304 with excellent vibration resistance. It can be used to measure gas, liquid, oil and other noncorrosive medium of stainless steel. IPS-PG-22 is applicable to portable pressure measurement and equipment supporting and calibration fields



Industrix Precise Solutions Private Limited

Room No – 303, Bhumika Residency, Plot No-21, Sector-20, Roadpali, Kalamboli, Panvel (Tal.), Raigad (Dist.), Maharashtra, India – 410218.

Mobile: +91 99309 98399 / +91 99674 97447

E-mail: admin@ipspl.in / sales@ipspl.in Website: www.ipspl.in

CIN : U52399MH2021PTC368555

Features

- 4 digits LCD showing pressure accurately in real time, easy for observation
- Various pressure units, zero clearing, backlight, on/off functions
- Battery powered, low-power design, keeping working for 12 months
- High-precision pressure sensor adopted

Application

- Machinery and electronics
- Supporting equipment of instruments
- Pressure laboratory
- Mechanical engineering automation

Specification

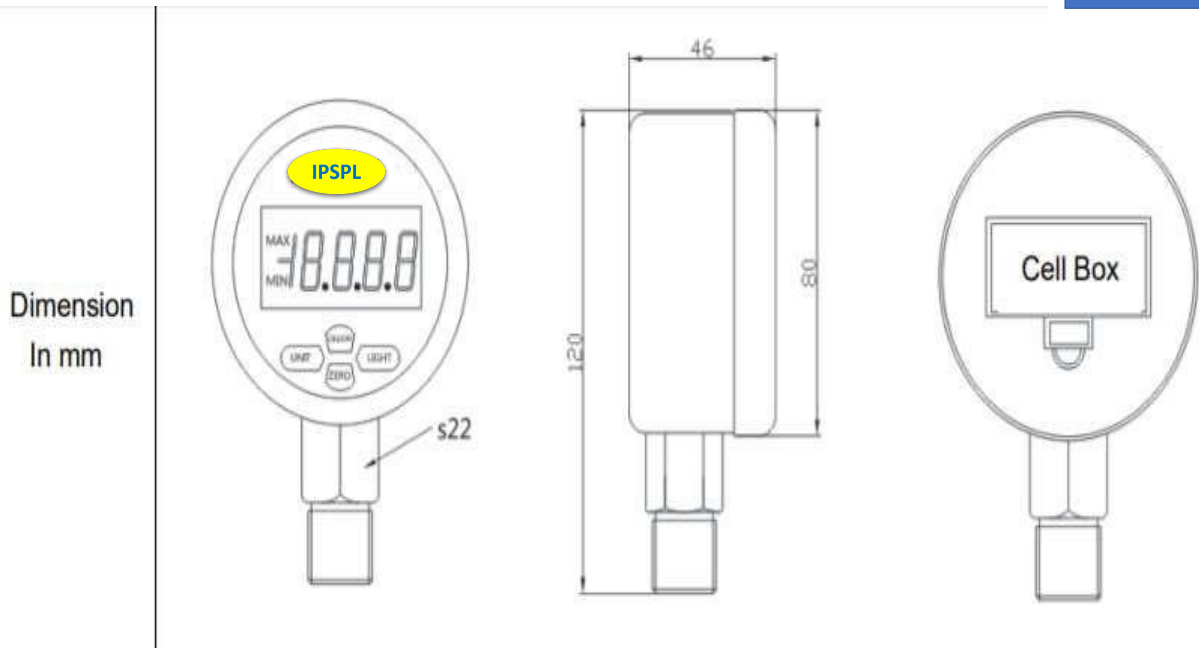
Pressure range	: -100 kPa...0 ~ 10 kPa...100 MPa
Pressure reference	: Gauge pressure, Absolute pressure, Sealed gauge pressure
Accuracy	: ± 0.5% FS
Backlight Colour	: White
Operating temperature	: -10 ~ +70°C
Compensated temperature	: 0 ~ 60°C
Electric protection	: Anti electromagnetic interference design
Sampling frequency	: 5/sec
Overpressure	: 150% FS
Long term stability	: ±0.2%FS/year (typical)
Supply	: Battery 2 (Triple A)

RESOLUTION TABLE

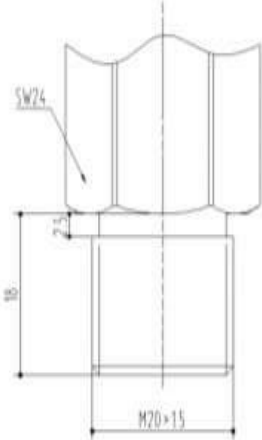
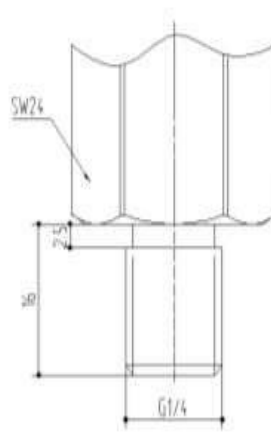
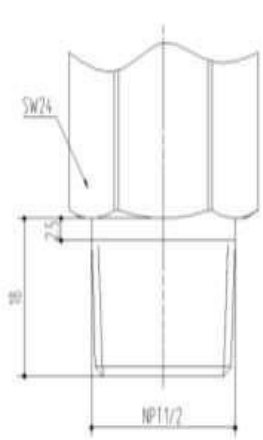
Range Units	Bar	MPa	mH2O	mmHg	In H2O	In Hg	Torr	KPa	PSI	Kg/Cm2	mBar
-1 to 3 Bar	0.001	0.001	0.01	1	1	0.01	1	0.1	0.01	0.001	1
-1 to 10 Bar	0.01	0.001	0.1	1	1	0.1	1	1	0.1	0.00	NA
-1 to 25 Bar	0.01	0.001	0.1	NA	NA	0.1	NA	1	0.1	0.01	NA
0 to 40 Bar	0.01	0.01	0.1	NA	NA	0.1	NA	1	0.1	0.01	NA
0 to 100 Bar	0.1	0.01	1	NA	NA	1	NA	NA	1	0.1	NA
0 to 250 Bar	0.1	0.01	1	NA	NA	1	NA	NA	1	1	NA
0 to 400 Bar	0.1	0.01	1	NA	NA	NA	NA	NA	1	0.1	NA
0 to 700 Bar	0.1	0.01	1	NA	NA	NA	NA	NA	1	0.1	NA

DIMENSIONS

IPS-PG-22



PROCESS CONNECTIONS

Type	C1: M20×1.5	C3: G1/4	C7: NPT1/2
Dimension In mm	 <p>SW24 20 M20×1.5</p>	 <p>SW24 20 G1/4</p>	 <p>SW24 20 NPT1/2</p>

Note: Common threads are M20×1.5, G1/4, G1/2, M14×1.5, NPT1/4 and NPT1/2. Special threads can be customized for batch order.

Due to continuous development of our products technical information's are subject to change. Please ensure the compatibility between the measured medium and the contacting part of the product when placing an order.

IP SPL reserves the right to make any change in this datasheet without notice. The information provided is believed to be accurate and reliable as of this product sheet.

Contact factory for custom configurations not shown